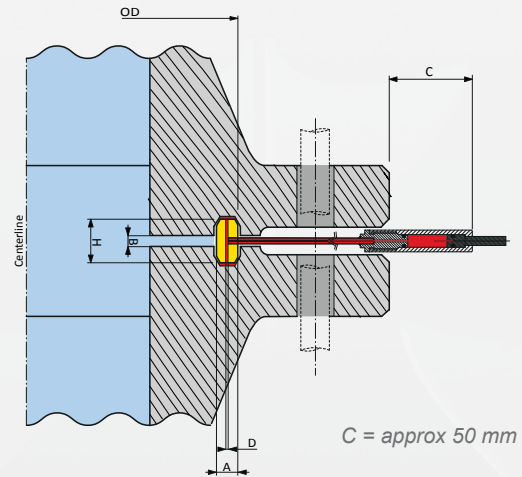


## 2.2.9 KaMOS® BX Gasket

According to API spec 6A/ISO 10423.

Type 6BX flanges are of the ring joint type and are designed with a raised face. Depending on tolerances, the connection make-up bolting force may react to the raised face of the flange when the gasket has been properly seated. This support prevents damage to the flange or gasket from excessive bolt torque. Therefore one of the flanges in a 6BX connection shall have a raised face. The type 6BX flange shall be on the through-bolted or studded design.



KaMOS® BX Gaskets height is modified to fulfill requirements of distance between flanges for pressure pipe.

KaMOS® BX Gasket: H = 5 mm higher than standard.

RING NO.	PRESSURE CLASS RATING MPA (PSI)				OUTSIDE DIA. OF RING OD	KaMOS® HEIGHT OF RING H	WIDTH OF RING A	HOLE SIZE D	APPROX WEIGHT KG
	34,5 (5000)	69 (10 000)	103,5 (15 000)	138 (20 000)					
	NOMINAL PIPE SIZE (INCHES)								
BX150	-	-	-	-	72,19	14,30	9,30	1,59	0,20
BX151	-	1 13/16	1 13/16	1 13/16	76,40	14,63	9,63	1,59	0,25
BX152	-	2 1/16	2 1/16	2 1/16	84,68	15,24	10,24	1,59	0,30
BX153	-	2 9/16	2 9/16	2 9/16	100,94	16,38	11,38	1,59	0,40
BX154	-	3 1/16	3 1/16	3 1/16	116,84	17,40	12,40	1,59	0,55
BX155	-	4 1/16	4 1/16	4 1/16	147,96	19,22	14,22	1,59	0,90
BX156	-	7 1/16	7 1/16	7 1/16	237,92	23,62	18,62	3,18	2,40
BX157	-	9	9	9	294,46	25,98	20,98	3,18	3,70
BX158	-	11	11	11	352,04	28,14	23,14	3,18	5,35
BX159	-	13 5/8	13 5/8	13 5/8	426,72	30,70	25,70	3,18	7,86
BX160	13 5/8	-	-	-	402,59	28,83	13,74	3,18	3,75
BX161	-	-	-	-	491,41	33,07	16,21	3,18	6,25
BX162	16 3/4	16 3/4	-	-	475,49	19,22	14,22	1,59	3,15
BX163	18 3/4	-	-	-	556,16	35,10	17,37	3,18	8,00
BX164	-	18 3/4	18 3/4	-	570,56	35,10	24,59	3,18	11,60
BX165	21 1/4	-	-	-	624,71	37,03	18,49	3,18	10,15
BX166	-	21 1/4	-	-	640,03	37,03	26,14	3,18	14,70
BX167	-	-	-	-	759,36	40,87	13,11	1,59	9,55
BX168	-	-	-	-	765,25	40,87	16,05	1,59	11,90
BX169	-	-	-	-	173,51	20,85	12,93	1,59	1,10
BX170	-	-	-	-	218,03	19,22	14,22	1,59	1,40
BX171	-	-	-	-	267,44	19,22	14,22	1,59	1,70
BX172	-	-	-	-	333,07	19,22	14,22	1,59	2,15
BX303	-	-	-	-	852,75	42,95	16,97	1,59	14,70

NOTE: Face to face contact is not necessary for the proper functioning of the type 6BX flanges.

Patented