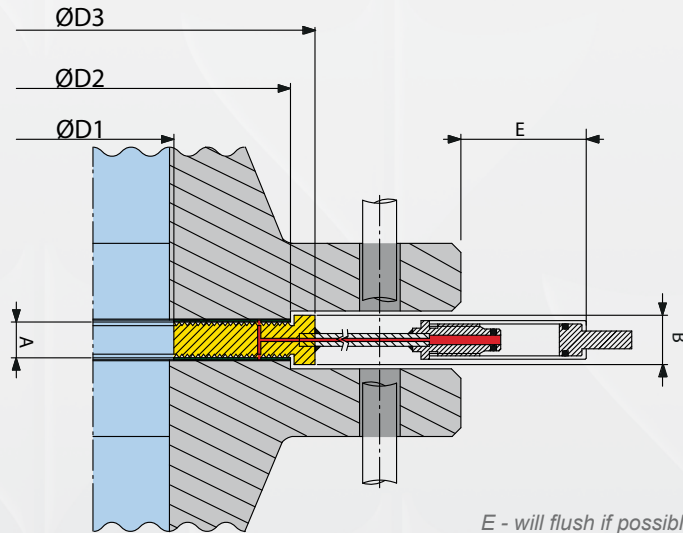


2.4 Technical Info -RF & FF Kammprofil Gaskets

2.4.1 KaMOS® Kammprofil Gasket - style RU

KaMOS® Gasket: Style RU - Raised face without guide ring



Nominal sizes		Nominal pressure lbs								
ANSI inches	ISO DN	D1	D2	150 D3	300 D3	400 D3	600 D3	900 D3	1500 D3	2500 D3
1	25	33,3	50,8	63,5	63,5	63,5	63,5	63,5	63,5	63,5
1 1/4	-	42,1	63,5	68,5	68,5	68,5	68,5	68,5	68,5	68,5
1 1/2	40	48,5	73,0	82,8	82,8	82,8	82,8	82,8	82,8	82,8
2	50	60,5	92,1	101,6	101,6	101,6	101,6	101,6	101,6	101,6
2 1/2	65	71,9	104,8	120,9	120,9	120,9	120,9	120,9	120,9	120,9
3	80	88,9	127,0	133,6	133,6	133,6	133,6	133,6	133,6	133,6
3 1/2	-	101,6	139,7	144,7	144,7	144,7	144,7	-	-	-
4	100	114,3	157,2	171,7	171,7	171,7	171,7	171,7	171,7	171,7
5	125	141,2	185,7	193,7	193,7	193,7	193,7	193,7	193,7	193,7
6	150	168,1	215,9	219,1	219,1	219,1	219,1	219,1	219,1	219,1
8	200	218,9	269,9	276,4	276,4	276,4	276,4	276,4	276,4	276,4
10	250	273,0	323,8	336,8	336,8	336,8	336,8	336,8	336,8	336,8
12	300	323,8	381,0	390,0	390,0	390,0	390,0	390,0	390,0	390,0
14	350	355,6	412,7	421,7	421,7	421,7	421,7	421,7	421,7	-
16	400	406,4	469,9	478,9	478,9	478,9	478,9	478,9	478,9	-
18	450	457,2	533,4	542,4	542,4	542,4	542,4	542,4	542,4	-
20	500	508,0	584,2	593,2	593,2	593,2	593,2	593,2	593,2	-
24	600	610,0	692,1	701,1	701,1	701,1	701,1	701,1	701,1	-
Other sizes on request				A= 6,5mm			A= 4,5mm			
Dimensions in mm				B= 7,3mm			B= 8,0mm			

For 150 lb & 300 lb, RF and RU KaMOS® Kammprofil Gaskets, the entire KaMOS® Indicator/Blind Plug is mounted on the outside of the flange.

Patented

Specifications and images are subject to change without notice. Not responsible for typographical errors.
© 2011-1 KaMOS® PRODUCTS - Karmsund Maritime Offshore Supply AS. All rights reserved.

2.4.5 KaMOS® Graphite for reusable KaMOS® Kammprofil Gasket

The KaMOS® Kammprofil Gasket may be used several times in installations by changing to new sealing material on the metallic core.

Graphite is without doubt the premier sheet gasket material available in the market today. This totally non-toxic, high purity carbon material, containing no respirable fibres, binders, lubricating agents or other unsurpassable by any other available sealing material.

Based on the same material utilized in our spiral wound gasket production, Graphite sheet gaskets provide conformable, low sealing stress seals, ideal for use on both rough and smooth flanges.

The self lubricating homogeneous structure exceptional chemical and temperature resistance ensure long service life, even in the presence of highly corrosive and toxic media. Low leachable and total chloride content aid in the avoidance of intergranular corrosion of austenitic stainless steel piping systems.



Physical Properties

The following physical properties are based on a standard purify 98% carbon foil, 0,35 mm thickness at a density of 1,0g/cm³

Description	Technical Data
Sublimation point	3650°C (6602°F)
Tensile strength	5.5 MN/m ²
Ash Content	2 %
Leachable chloride ion content	50 p.p.m. (Certifiable on request)
Leachable fluoride ion content	50 p.p.m. (Certifiable on request)
Temperature range:	
Inert or reducing atmospheres	-200°C to 3000°C (328-5432°F)
Oxidizing atmospheres	-200°C to 500°C (328-932°F)
Gas permeability	<10cm ⁻³ /S
Specific Electrical resistance:	
Parallel to surface	10Ω mm ² /m
Perpendicular to surface	600Ω mm ² /m
Thermal conductivity:	
Parallel to surface	200 W/mk
Perpendicular to surface	7 W/mk

Type	Description
30000000-01,00	Grafitt set (2off) 1" KaMOS® Kammprofil
30000000-01,50	Grafitt set (2off) 1 1/2" KaMOS® Kammprofil
30000000-02,00	Grafitt set (2off) 2" KaMOS® Kammprofil
30000000-02,50	Grafitt set (2off) 2 1/2" KaMOS® Kammprofil
30000000-03,00	Grafitt set (2off) 3" KaMOS® Kammprofil
30000000-04,00	Grafitt set (2off) 4" KaMOS® Kammprofil
30000000-06,00	Grafitt set (2off) 6" KaMOS® Kammprofil
30000000-08,00	Grafitt set (2off) 8" KaMOS® Kammprofil
30000000-10,00	Grafitt set (2off) 10" KaMOS® Kammprofil
30000000-12,00	Grafitt set (2off) 12" KaMOS® Kammprofil
30000000-14,00	Grafitt set (2off) 14" KaMOS® Kammprofil
30000000-16,00	Grafitt set (2off) 16" KaMOS® Kammprofil
30000000-18,00	Grafitt set (2off) 18" KaMOS® Kammprofil
30000000-20,00	Grafitt set (2off) 20" KaMOS® Kammprofil
30000000-24,00	Grafitt set (2off) 24" KaMOS® Kammprofil
30000000-28,00	Grafitt set (2off) 28" KaMOS® Kammprofil
30000000-30,00	Grafitt set (2off) 30" KaMOS® Kammprofil
30000000-36,00	Grafitt set (2off) 36" KaMOS® Kammprofil

Approvals

BAM Tgb No. 8560/86-4-2855