

3.2 Extra Equipment for KaMOS® Actuators

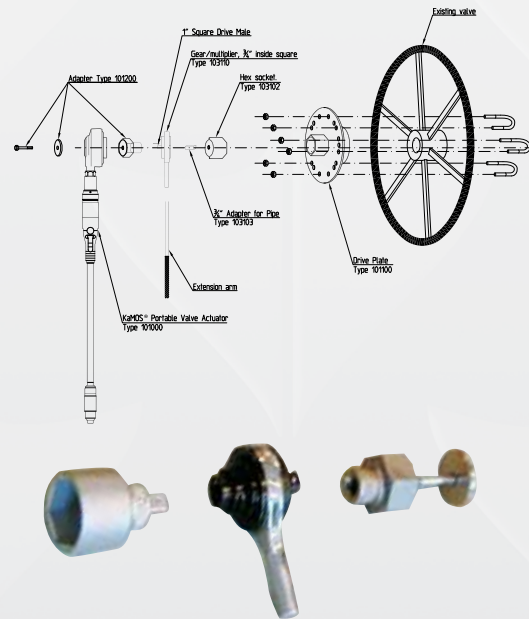
KaMOS® offers extra equipment for the KaMOS® Portable Valve Actuator suitable for different usage and situations.

KaMOS® Portable Valve Actuator may be used for all types of operations where rotating operations are needed.

3.2.1 KaMOS® Speed Multiplier for KaMOS® Actuator, Type 101000

When using the KaMOS® Speed Multiplier together with the KaMOS® Portable Valve Actuator, Type 101000 the speed will be multiplied by 4.

Type	Description
103110	Multi- Gear Drive (x4) 3/4" - speed
Extra items needed for use:	
101200	KaMOS® Adapter for gear x4 torque, 1"
103102	Socket Wrench for KaMOS® Drive Plate Type 101100, 60mm, 3/4"
103103	Adapter/Multi- Gear Drive connection 3/4"



3.2.2 KaMOS® Torque Multiplier for KaMOS® Actuator, Type 101000

When using the KaMOS® Torque Multiplier together with the KaMOS® Portable Valve Actuator, Type 101000 the torque will be multiplied by 4.

Type	Description
103110	Multi- Gear Drive (x4) 3/4" - torque
Extra items needed for use:	
103101	KaMOS® Adapter for gear x4 torque
103104	Socket Wrench for KaMOS® Drive Plate Type 101100, 60mm, 1"

