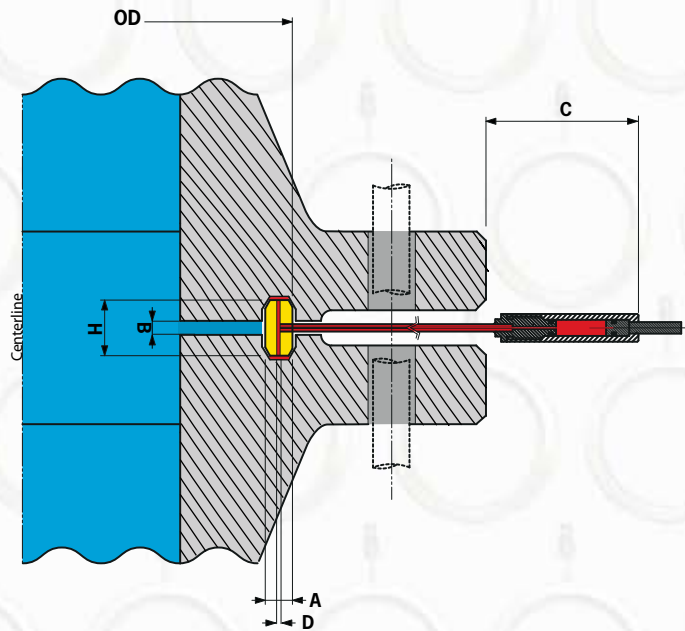


2.2.10

KaMOS® gasket – Long pipe model

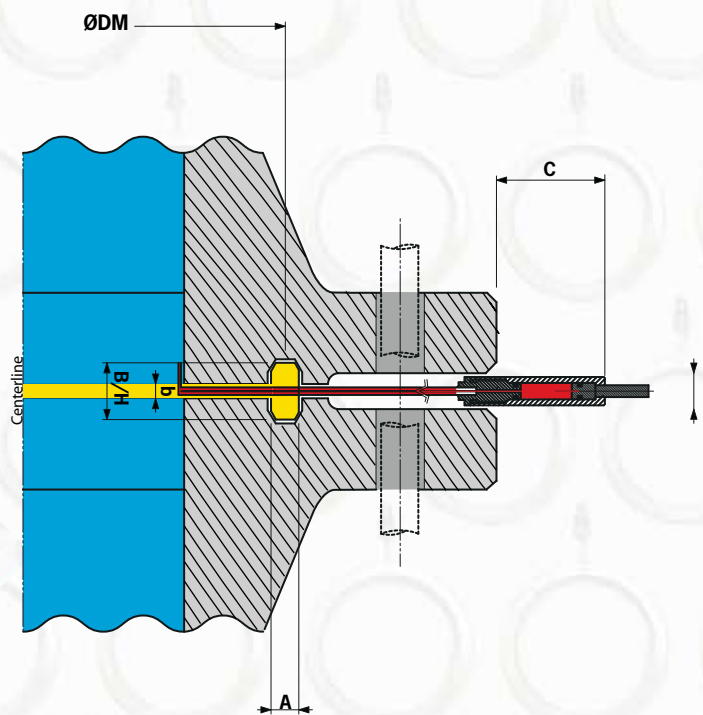
Type	Description
(prodnr.) L	Long Pipe



All KaMOS® Gaskets is offered, on request with longer pipes when flangespace is limited.

2.2.11

KaMOS® Blind gasket – with Pressure Gauge



KaMOS® Blind Gasket may be modified to:

- Measure pressure
- Leakage test
- Blind a flange

Patent NO 175832
US 6,000,278